

10. Parts List and Disassembled Drawings

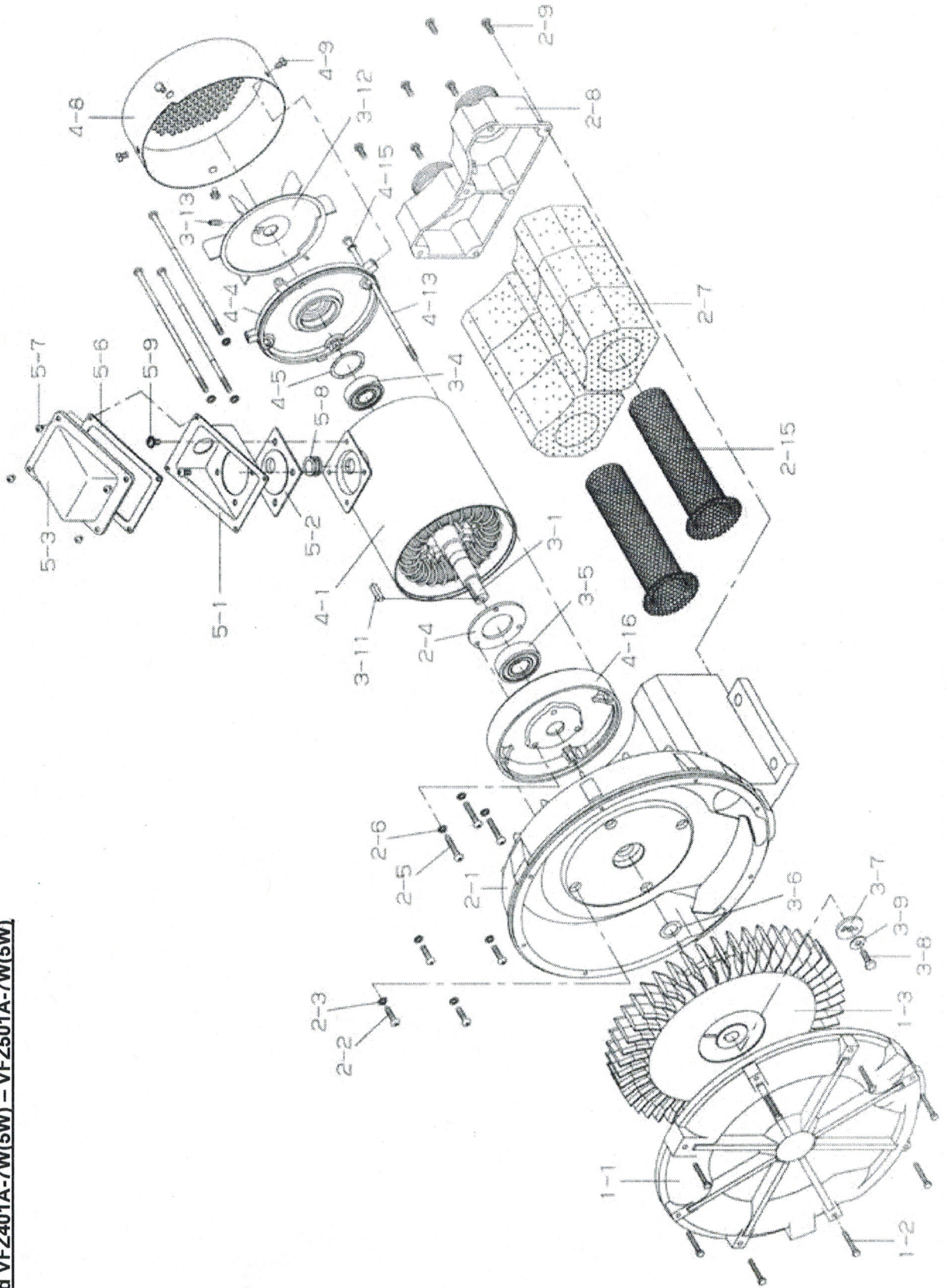
The Parts List of Ring Compressor is shown below.

The Parts No. in Parts List corresponds to those in Disassembled Drawings.

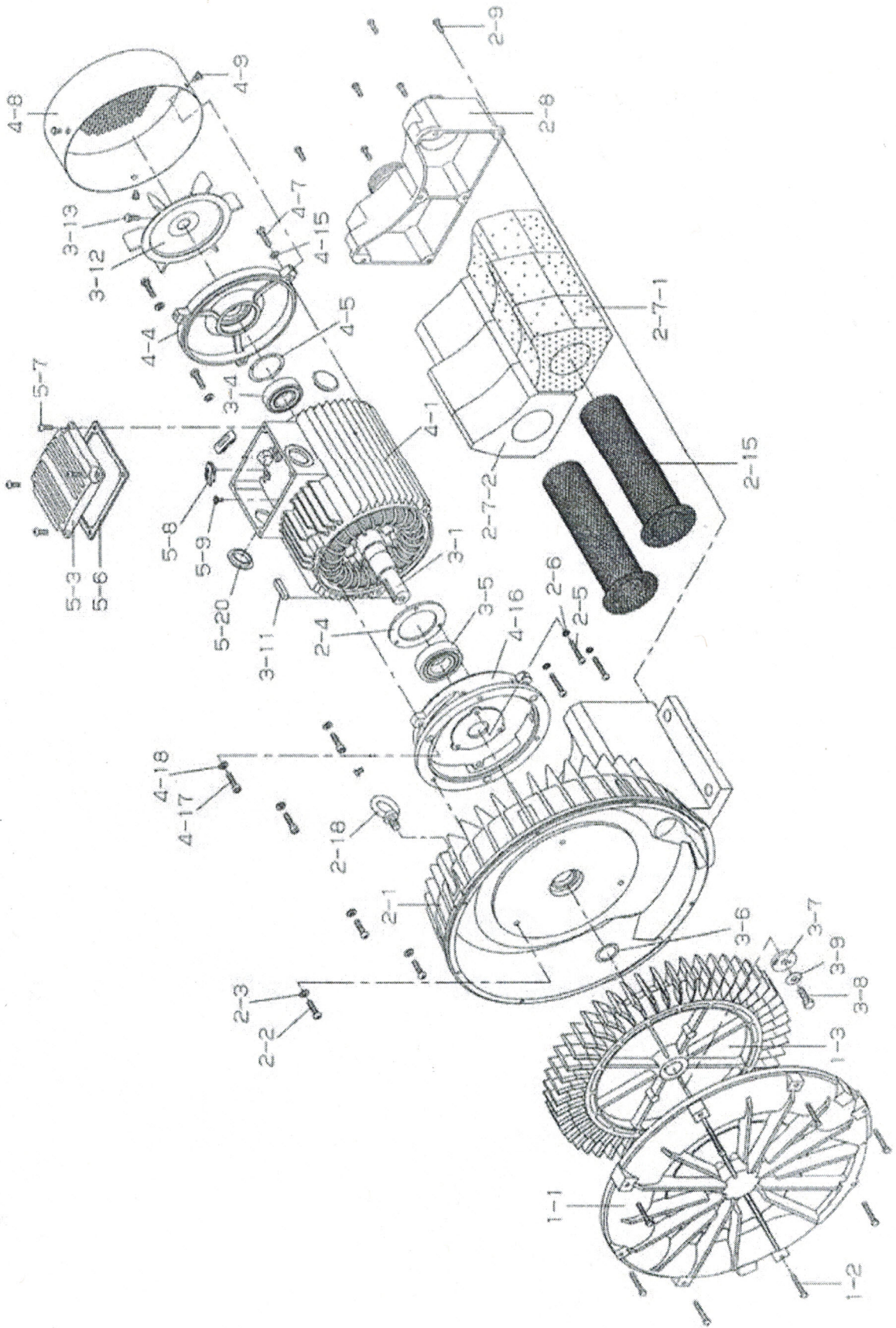
Caution: Some parts are not used for some machine models.

Part No.	Name of Part	Part No.	Name of Part	Part No.	Name of Part
1-1	Casing cover	3-4	Bearing at counter-driving side	4-28	Cap
1-2	Bolt (for Casing cover)	3-5	Bearing at driving side	5-1	Terminal box
1-3	Impeller	3-6	Spacer	5-2	Packing (for Terminal box)
2-1	Casing	3-7	Press ring	5-3	Terminal box cover
2-2	Bolt (for Casing)	3-8	Bolt (for fastening Fan wheel)	5-6	Packing (for Terminal box cover)
2-3	Spring washer	3-9	Claw washer	5-7	Bolt (for Terminal box cover)
2-4	End cover	3-11	Key (for Fan Wheel)	5-8	Bush (for Terminal box)
2-5	Bolt (for End cover)	3-12	Motor cooler fan	5-9	Bolt (for Protective earthing terminal)
2-6	Spring washer	3-13	Bolt (for Motor cooler fan)	5-20	Bush (for Leader mouth for Terminal box)
2-7	Silencer (1 set)	4-1	Frame/Stator assembly	5-21	Bolt (for Motor)
2-7-1	Silencer (Suction side)	4-4	Shield at counter-driving side	5-22	Nut (for Motor)
2-7-2	Silencer (Discharge side)	4-5	Waved washer		
2-8	Flange	4-7	Bolt (for Shield)		
2-9	Bolt (for Flange)	4-8	Cooler fan cover		
2-10	Filter	4-9	Bolt (for Cooler fan cover)		
2-15	Silencer Retaining Net	4-13	Bolt (Shield, frame)		
2-16	Silencer box	4-14	Nut (Shield, frame)		
2-17	Bolt (for Silencer box)	4-15	Spring washer (Shield, frame)		
2-18	Hanger bolt	4-16	Middle bracket		
2-20	Spring washer (for Silencer box)	4-17	Bolt (Middle bracket, frame)		
3-1	Shaft/Rotor assembly	4-18	Spring washer		

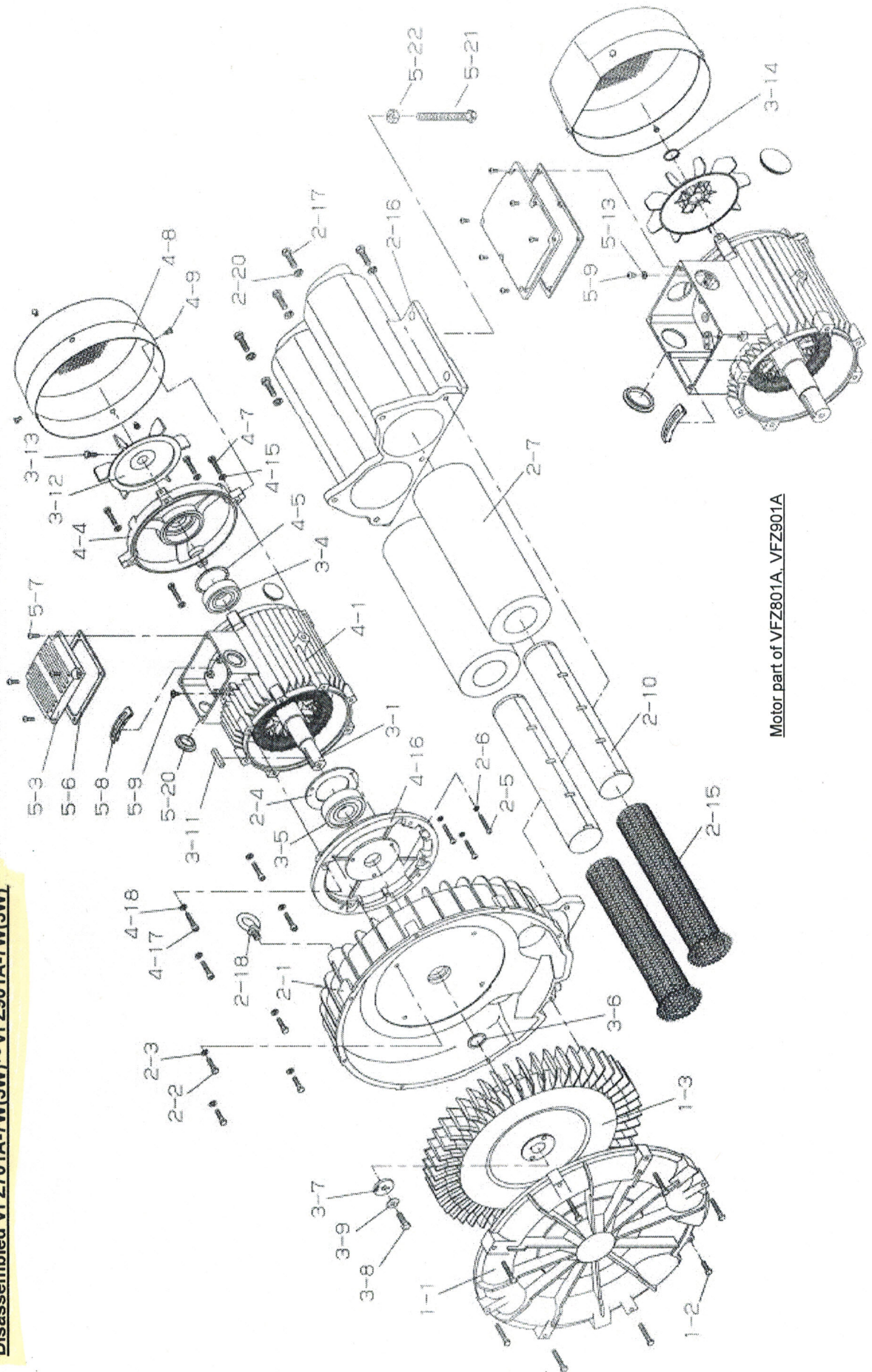
Disassembled VFZ401A-7W(5W) – VFZ501A-7W(5W)



Disassembled VFZ601A-7W(5W)



Disassembled VFZ701A-7W(5W)~VFZ901A-7W(5W)



Motor part of VFZ801A, VFZ901A