

CARY SuperVac System: Stationary and Portable



The **CARY SuperVac System** is designed to provide years of trouble-free service and continuous duty in industrial applications. Two versions are available, the stationary unit for central vacuum headers or limited area cleanups and the portable unit which employs a heavy-duty cart and can be moved to any location.

The **CARY SuperVac Systems** were designed and developed for efficient cleanup and removal of lightweight waste. The systems have been used to pick-up and clean areas of textile waste, fibers & lint, fiberglass, crumbs, cereals, sawdust & wood chips, dust and dirt.

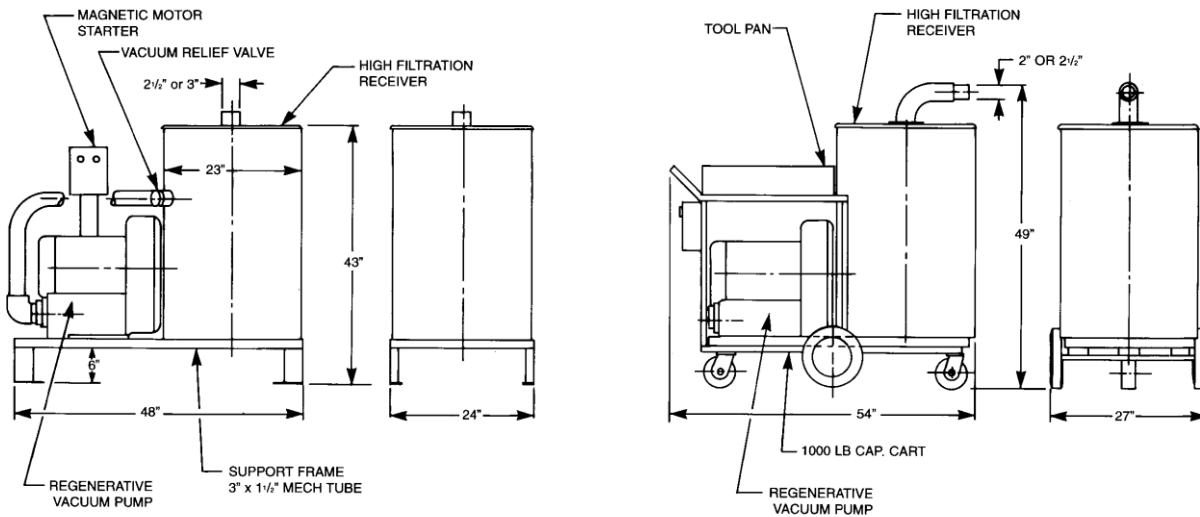
The vacuum receiver filtration is accomplished by a cotton flannel (cotton flannel on canvas) filter bag (p/n 8604) with a filtration area of 2400 square inches. The filter bag is clamped into the receiver and is supported by a perforated cylinder. The disposable/reusable bags (p/n 8605) also provide filtration and are placed inside the cotton flannel bag. The vacuum receivers are "top-loading." The waste products are collected in 10 mil Cerex disposable/reusable bags. These bags are lifted up and out of the receiver to empty and be reused or disposed of and replaced with fresh bag.

CARY SuperVac System features include:

- High Capacity, 7.9 Cubic Feet
- No Maintenance Required
- Highly Reliable Fuji Regenerative Blower
- Heavy-Duty Welded Construction
- Low Noise
- High Air Flow & Suction
- Stationary & Portable Configurations
- Magnetic Motor Starter

CARY SUPERVAC SPECIFICATIONS

Model Number	CV901(S or P)	CV801(S or P)	CV601(S or P)
Motor Horsepower	14.7 HP	10.7 HP	5.0 HP
Sealed Water Lift	110 inch H2O	112 inch H2O	95 inch H2O
Rating at 1" Orifice	380 SCFM	275 SCFM	120 SCFM
Rating at 2" Orifice	510 SCFM	360 SCFM	160 SCFM
Vacuum Relief Valve Setting	99 inch H2O	101 inch H2O	86 inch H2O
Waste Capacity, Cu. Ft.	7.9	7.9	7.9
Magnetic Motor Starter	Yes	Yes	Yes
Voltage	230/460/575	230/460/575	230/460/575
Phase	3	3	3
Frequency	60	60	60
Weight (lbs.)	600	500	350



Standard Accessories Include:

- 1 Spare Canton Flannel Bag (p/n 8604)
- 10 Cerex Disposable/Reusable Bags (p/n 8605)
- Portable Unit also includes Flexible S.O. Cord (plug end not included), Hose Assembly, and Tools (as specifically noted in Product Manual).

Visit our website: WWW.CARYMFG.COM